

auto electrical parts

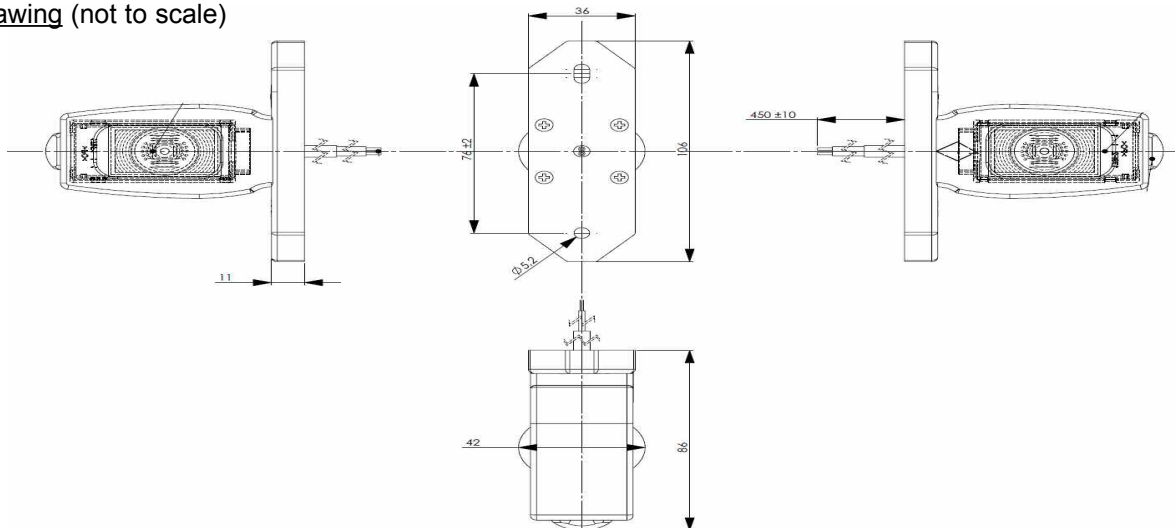
Technical Information Sheet

Part No. 0-172-70

Red, white and amber LED outline triple marker lamp, 12/24 volt with arbitrary polarity, Universal.
E Marked.



Technical Drawing (not to scale)



Specification

Type	Red, White & Amber LED outline marker
Voltage	12/24V
Wattage	0.6W @ 12V, 1.2W @ 24V
Flying leads	50cm twin core
Material	Arm - PVC, Lens - PC,
Dimensions	As above
IP Rating	IP68
Operating Temperature	-20 to +40 Degrees
Certifications	E Marked

The information contained in this document is correct to the best of our knowledge at the time of printing. However, specifications may change at any time without notice.